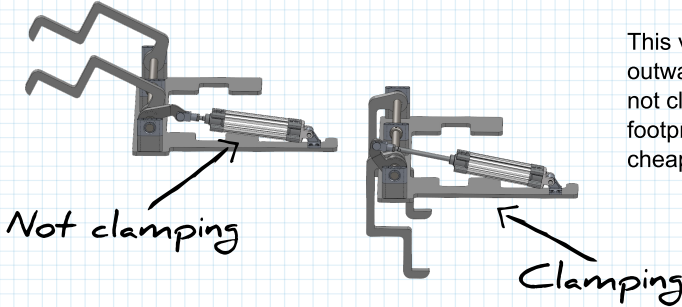




Pallet Hooks

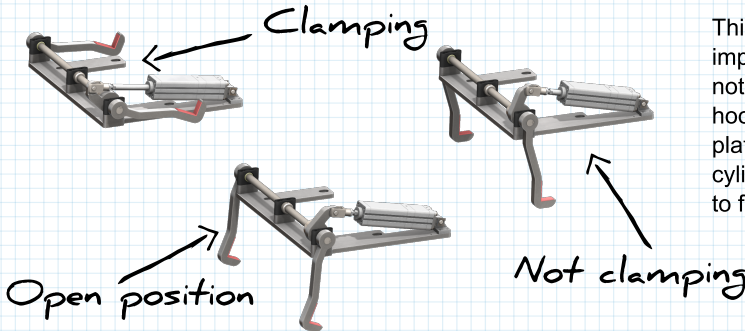
Pallets come in many different sizes, qualities and most importantly, conditions. Splinters, debris, missing beams, nails sticking out of them, all these are potential factors which will damage and shorten the lifespan of the foam. This is why we recommend the use of pallet hooks to guarantee not only the safe and consistent handling of the pallets, but also avoidance of unnecessary maintenance costs of the UniGripper.

Version A - 1+1 Cylinders



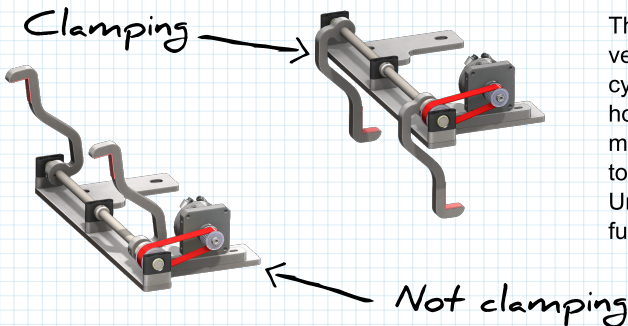
This version folds the pallet hooks outwards approx. 110 degrees, when not clamping. This increases the footprint of the tool but is the cheapest version of pallet hooks.

Version B - 1+2 Cylinders



This version can be implemented on tools that are not too wide. It folds the pallet hooks in along the UniGripper plate when not clamping. Two cylinders are used on one side to fix the pallet position.

Version C - Rotary Cylinders



This is the most common pallet hook version. It operates with a rotating cylinder that via a belt rotate the pallet hooks normally 180 degrees. This makes the footprint no larger than the tool and is also possible to use on UniGripper LayerGrippers that are of full pallet size.