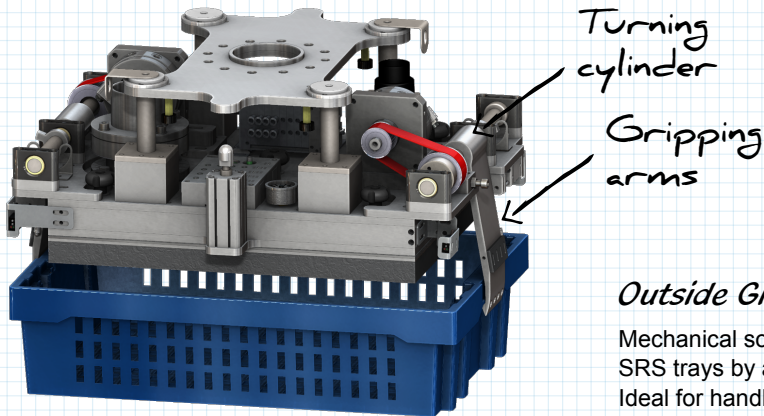




Tray Handling

Solutions for handling of trays are as diversified as there are trays. Some can be picked with the UniGripper valves, some with additional suction cups, but most of the times we add a mechanical set up in order to handle the trays. These set ups range from clamping devices to locking options. As usual with UniGripper, there are as many solutions as there are picking challenges.



SRS Tray

Outside Grip

Mechanical solution for lifting SRS trays by an outside grip. Ideal for handling full trays that are filled or emptied by the UniGripper suction plate

Inside Grip

Mechanical solution for lifting SRS trays by an inside grip. Ideal for handling stacks of trays that are filled or emptied by the UniGripper suction plate

